

1 before you start

- 1 Unplug all equipment connected to your phone line - this is just to make sure that nothing disrupts the set-up.
- 2 Did you buy a wireless adaptor from Orange as well as this Orange wireless router? If you did please install it first to ensure the installation runs smoothly.
- 3 You'll also need to have the username and password you chose when you registered for broadband - we confirmed them in an email to you too.



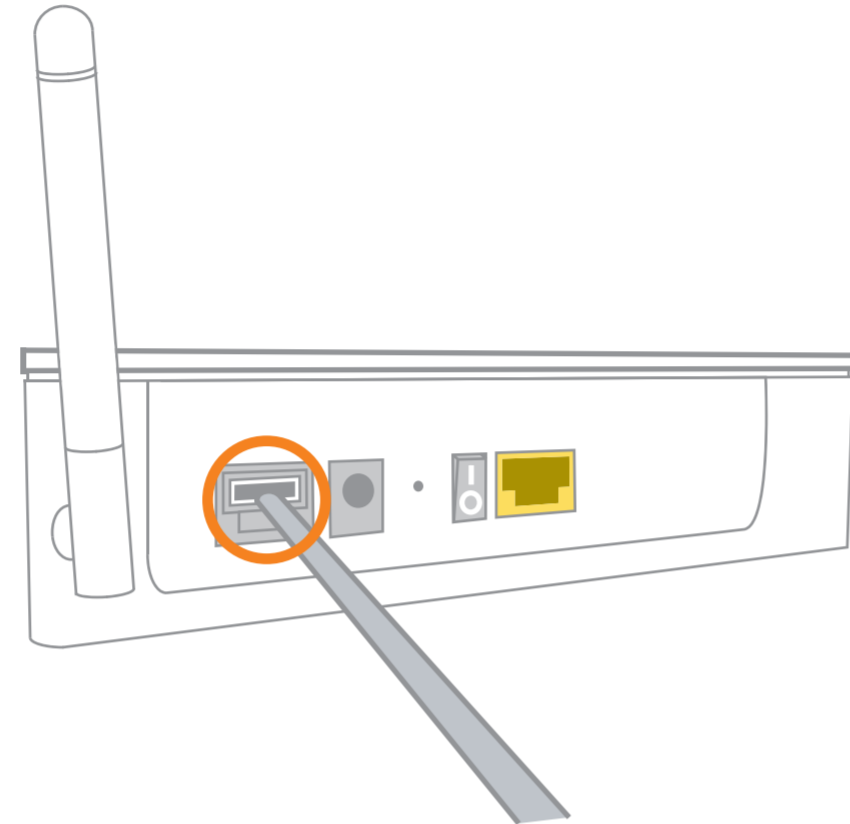
Broadband Username:
.....@fs

Broadband Password
.....



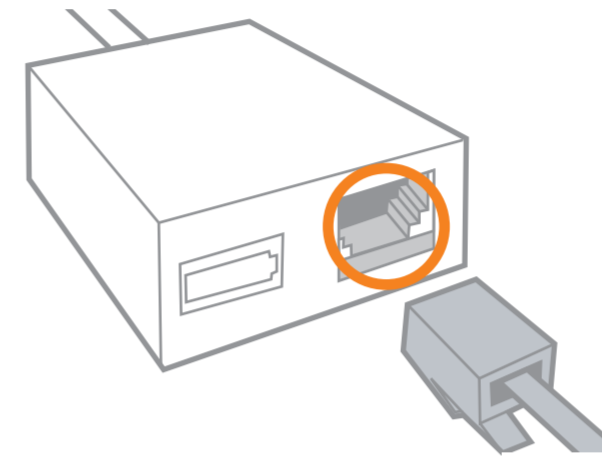
2 connect the broadband cable to the router

- 1 Plug the broadband cable into the ADSL socket on the back of the router. The broadband cable is a grey cable with clear plugs.



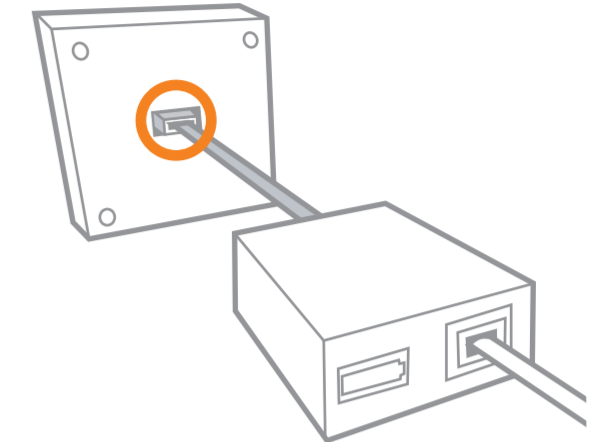
3 connect the broadband cable to the filter

- 1 Plug the other end of the broadband cable into the broadband filter.

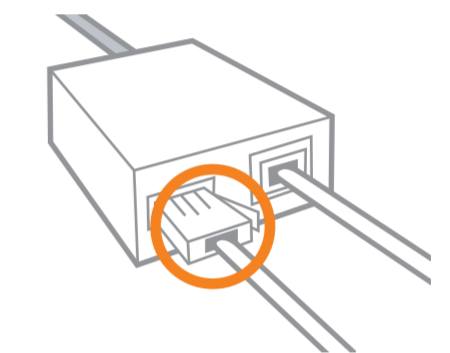


4 connect the filter to the phone socket

- 1 Plug the broadband filter into your phone socket.

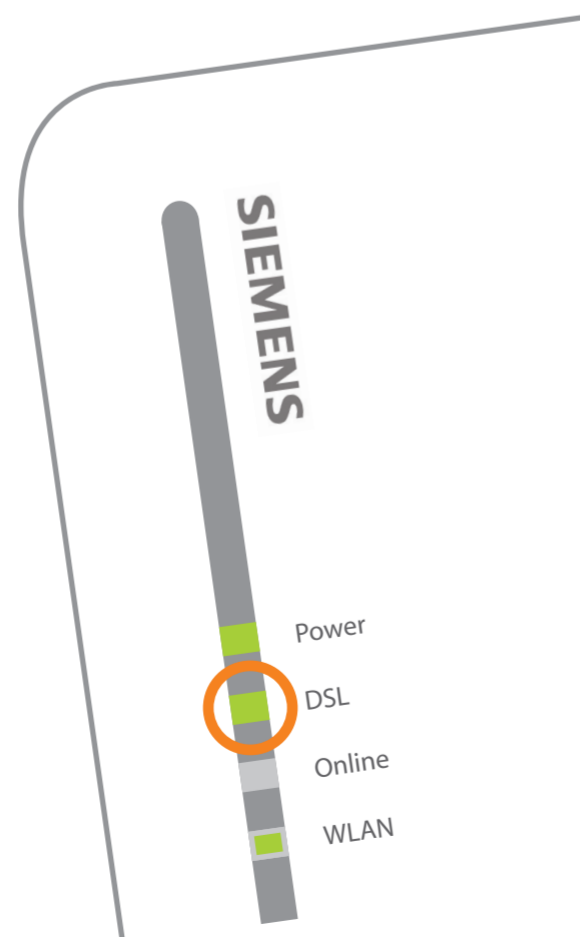


- 2 Plug your phone into the broadband filter, alongside the broadband cable.



6 check the lights

- 1 Once the router has started up, the lights will flash in a sequence. After a few minutes the DSL light should be solid. Take a look now and follow the next instructions...



Is the DSL light solid?



If it is, you can move on to step 7.

OR:

Is the DSL light flashing or not lit?



If the DSL light is flashing, the router can't detect broadband.

First, check your cables are connected correctly (see steps 2-5).

If the DSL light is still flashing quickly, please check the lights in a few days as it can take up to 10 days after registering to activate your broadband.

If the DSL light is not lit please check you've connected the broadband cable to the filter and router correctly (see steps 2-4)

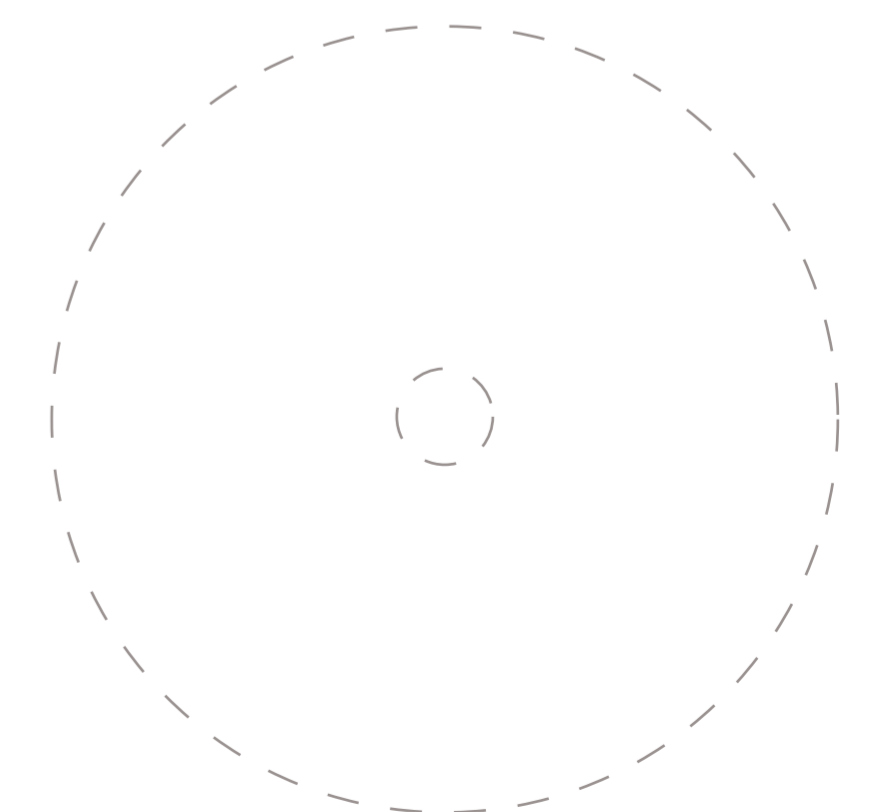
If it still isn't working after 10 days, call us on 090 5050 5151 (24 hours day, 7 days a week, calls charged at 50p/minute *).

* Calls to 0905 numbers are charged at 50p/min from BT landlines. Charges from other networks may vary. Calls may be recorded and will last a maximum of 60 minutes.



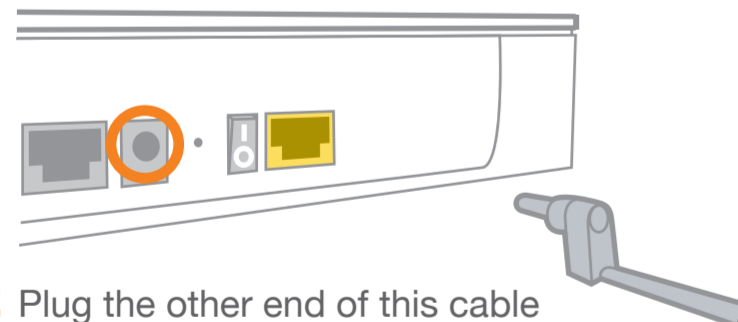
7 insert the set-up CD

- 1 Just follow the on-screen instructions to connect your computer to the router and complete your installation.



5 plug in the power cable

- 1 Plug the power cable into the router as shown.



- 2 Plug the other end of this cable into a mains socket near the router.

- 3 Switch on the router using the power switch on the back.



Make sure your home is protected from electrical surges which could damage your electrical equipment. You can purchase a surge protector from your nearest high street retailer.



Broadband easy set-up guide



read me first before
inserting the set-up CD

need help?

call us

Call the helpline on 090 5050 5151 for technical support (24 hours a day/7 days a week, calls charged at 50p/min *)

If you are a Business customer please refer to your registration and activation emails to confirm your support contact number. Please only use this provided number for your customer support.

go online

Visit us at www.orange.co.uk/help any time of the day or night.

On installation the following changes will be made to Microsoft Internet Explorer:

- the Orange Search Toolbar will be added. This will help you search the web by setting Orange as your search provider;
- the AutoSearch will be updated so that incorrect web addresses are directed to the Orange Search engine;
- Orange branding and shortcuts will appear on your desktop in Microsoft Internet Explorer and Mozilla Firefox and start shortcuts will be created.

* Calls are charged at 50p per minute from BT land lines; calls from mobiles and some other networks may cost more. Calls may be recorded and will last a maximum of 60 minutes.

information for advanced users

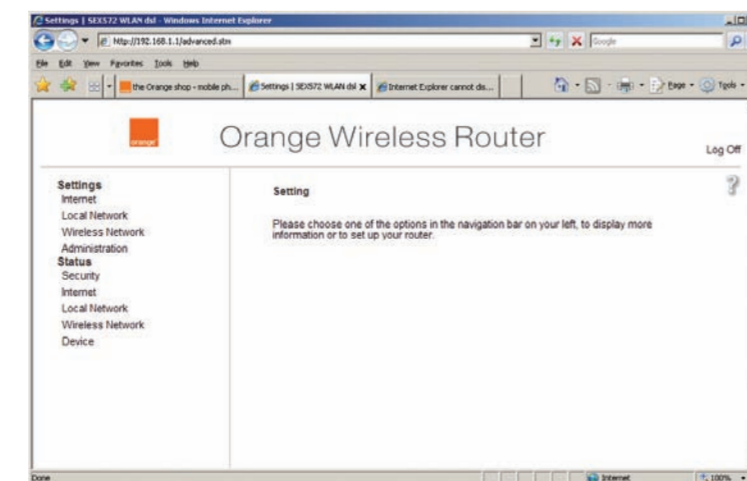
Where can I find the router product name (SSID) and security code (WPA)?

You can find these details on the base of the router.

How can I access the router administration pages?

To access the router administration pages:

1. After connecting the router to your computer successfully, open your web browser.
2. In the address bar, enter 192.168.1.1
The router administration password is **admin**



what's in the box?

1 x wireless router



1 x power adaptor



1 x broadband cable



2 x broadband filters



1 x ethernet cable
(you only need this if you're connecting via a wired connection)



1 x Easy Set-up Guide

